

Part number

MK VG20



Brief description:

Hoods with single lever, size "21.21", top entry, M20, thermoplastic version, IP44, IP66/IP67 degree of protection with CKR 65 kit or CKR 65 D kit.

Product description

Version	thermoplastic version
Series	Hoods with 1 lever
Product type	with 1 lever
Variant	top entry
Style	white colour, RAL 7035
Family	CK thermoplastic enclosures
Size	size "21.21"


Technical data

Operating temperature range (min, max)	-40°C ... +125°C
Material	thermoplastic
IP degree of protection	IP44 (IP66/IP67 with CKR 65/CKR 65 D kits)
Cable entry	M20

Further technical details

Weight	21,00 g
---------------	---------

Approvals / Standards

Quality mark	UL type: 12, (type 4/4X only with kit CKR 65 or CKR 65 D),  , EAC
Conformity	CQC, CE

General ordering information

EAN13 code	8015747056625
Tariff number	85369095

Packaging Information

Packaging length	330,00 mm
Packaging height	170,00 mm
Packaging width	230,00 mm
Packaging weight	2,10 kg
Packaging volume	12,90 dm ³
Packaging description	Carton box
Packaging quantity	100 Pcs
Packaging EAN code	8015747056632
Sub-packaging length	100,00 mm
Sub-packaging height	58,00 mm
Sub-packaging width	145,00 mm
Sub-packaging weight	0,21 kg
Sub-packaging volume	0,84 dm ³
Sub-packaging description	Carton Box
Sub-packaging quantity	10 Pcs
Sub-packaging EAN barcode	8015747056649

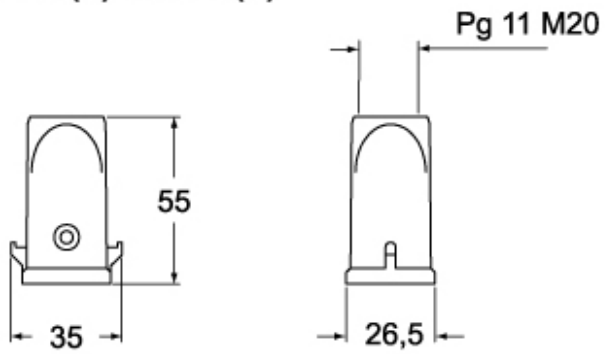
Part number

MK VG20

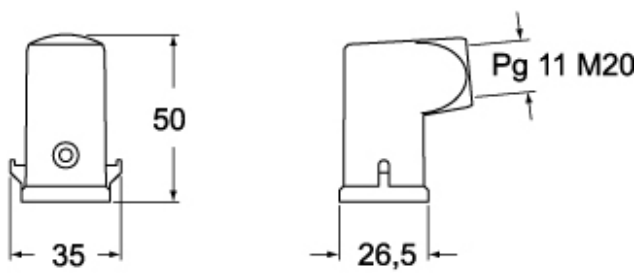


Catalogue drawings

CK V(N)S - MK V(N)



CK VA(N)S - MK VA(N)



CK VG(N)S - MK VG(N)

